

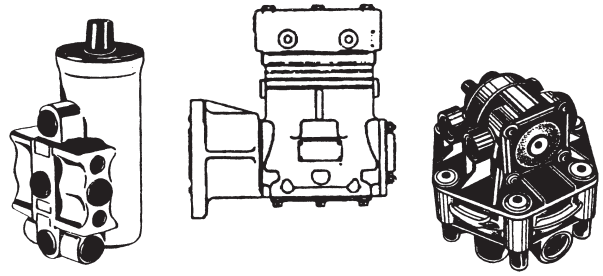


## AIR BRAKE SYSTEMS

AIR BRAKE CHAMBERS  
AIR DRYERS and REPAIR KITS - REMAN.  
AIR DRYERS - NEW  
AIR BRAKE FITTINGS & TUBING  
AIR BRAKE HOSES  
AIR VALVES - NEW & REMAN.  
COMPRESSORS - REMAN.  
GOVERNORS - NEW & REMAN.  
SERVICE CHAMBERS

## MANUFACTURER

MGM SPRING BRAKE CHAMBERS (ABC)  
BENDIX, MIDLAND, ROCKWELL/WABCO (AVC)  
MIDLAND (HBS)  
GATES (HHC)  
GATES (HHC)  
BENDIX, MIDLAND, SEALCO, WILLIAMS (AVC)  
BENDIX, MIDLAND, CUMMINS (AVC)  
BENDIX, BEPCO (AVC)  
MGM (ABC)

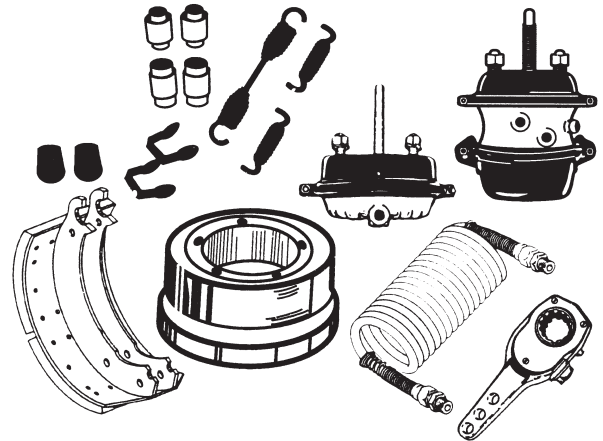


## BRAKE PARTS

BRAKE SHOES - AIR  
BRAKE SHOES - HYDRAULIC  
BRAKE SHOES HARDWARE KITS - AIR  
BRAKE SHOES HARDWARE KITS - HYDRAULIC  
BRAKE S-CAMS  
BRAKE SPIDERS  
BRAKE DRUMS  
CAMSHAFT REPAIR KITS  
COILED AIR HOSES  
DISC BRAKE PADS  
DISC BRAKE ROTORS  
FOUNDATION BRAKE PARTS  
HYDROVAC VACUUM BOOSTERS  
SLACK ADJUSTERS - AUTOMATIC & MANUAL  
WEDGE BRAKE COMPONENTS - ROCKWELL & BENDIX

## MANUFACTURER

CARLISLE/ALTEC (HDF)  
BPI (RAYBESTOS) (FRI)  
BWP (HDB)  
BPI (RAYBESTOS) (BRK)  
BWP (HDB)  
BWP (HDB)  
WEBB WHEEL (HDD)  
BWP (HDB)  
PHILLIPS (PHI)  
BPI (RAYBESTOS) (FRI)  
BPI (RAYBESTOS) (BDR), WEBB (HDD)  
BWP (HDB)  
A-1 CARDONE (BBO)  
MIDLAND (HBS), BWP (HDB)  
BWP (HDB)

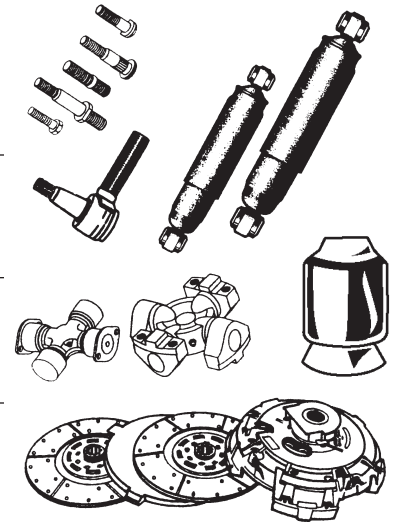


## AXLE, CHASSIS SUSPENSION & DRIVELINE SYSTEMS

AXLE NUTS & WASHERS  
AIR SPRINGS  
AXLE GASKETS  
CLUTCHES (NEW & REMAN.)  
HUBS  
HUBCAPS  
SHOCK ABSORBERS  
MEDIUM DUTY & HEAVY DUTY FRONT END COMPONENTS  
SUSPENSION COMPONENTS - DANA, DAYTON, FRUEHAUF  
HENDRICKSON, NEWAY, PAGE, REYCO, TRAILMOBILE  
TORQUE RODS  
U-BOLT KITS  
UNIVERSAL JOINTS  
WHEEL ATTACHING PARTS  
WHEEL BEARINGS  
WHEEL SPACERS  
WHEEL SEALS

## MANUFACTURER

BWP (HDB)  
GOODYEAR (ABG)  
BWP (HDB)  
MIDLAND DANA/SPICER (HCL)  
WEBB WHEEL (HDD)  
STEMCO (SWS), NATIONAL (SLS)  
KYB (KYB)  
MOOG CHASSIS (CCH)  
BWP (HDB)  
BWP (HDB)  
BWP (HDB)  
NEAPCO, DANA/SPICER, ROCKWELL/MERITOR (UJ)  
BWP (HDB)  
BOWER/BCA FEDERAL MOGUL (BGS)  
WEBB WHEEL (HDD)  
NATIONAL SEAL SEALS (SLS), STEMCO WHEEL SEALS (SWS)

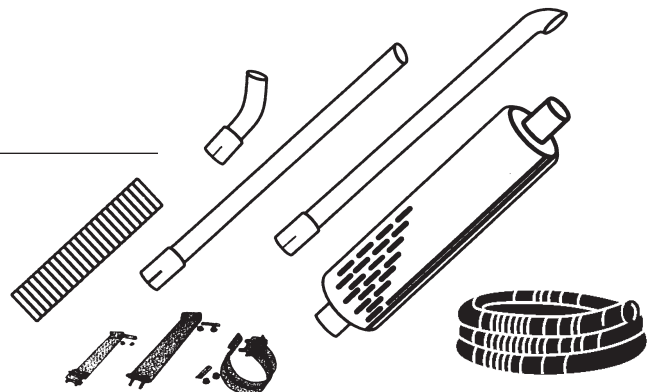


## EXHAUST COMPONENTS

MUFFLERS  
CLAMPS  
CHROME STACK PIPES  
EXHAUST PIPES, STACKS, ELBOWS & ADAPTERS  
FLEX TUBING - GALVANIZED & STAINLESS STEEL

## MANUFACTURER

GOERLICH (GOE)  
GOERLICH (GOE)  
GOERLICH (GOE)  
GOERLICH (GOE)  
GOERLICH (GOE)

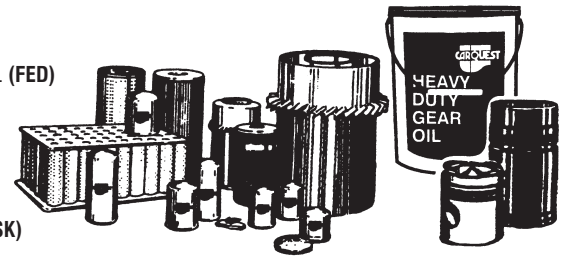


**ENGINE, FILTRATION and LUBRICATION SYSTEMS**

BELTS & HOSES  
 ENGINE PARTS - IN FRAME KITS, SLEEVE & LINER KITS, RINGS  
 ENGINE BEARINGS  
 DIESEL FUEL INJECTION PUMPS  
 FILTER - OIL, AIR, FUEL, WATER  
 IDLER PULLEYS  
 GASKETS  
 OIL PUMPS  
 OILS & LUBRICATION PRODUCTS  
 STARTING FLUID

**MANUFACTURER**

GATES (RBR)  
 SEALED POWER/FEDERAL MOGUL (FED)  
 FEDERAL MOGUL (FED)  
 TOMCO (TOM)  
 WIX FILTER DIV., DANA (CFI)  
 DAYCO (TEN)  
 VICTOR REINZ DIVISION/DANA (GSK)  
 MELLING (OP)  
 CARQUEST/VALVOLINE/ASHLAND OIL CO. (VAL) & (LUB)  
 VALVOLINE, IGLOO (PVF)

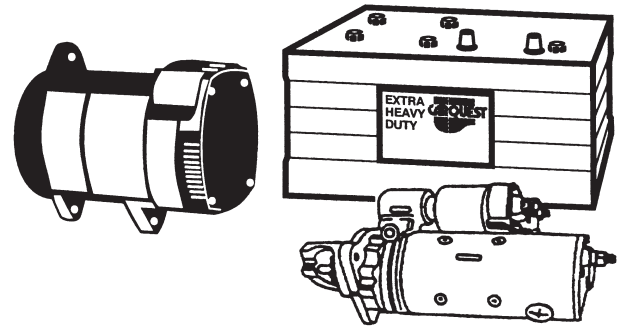


**ELECTRICAL SYSTEMS**

ALTERNATORS & STARTERS - NEW  
 ALTERNATORS & STARTERS - REMAN.  
 BATTERIES GROUP 31, 4D, 8D  
 BULBS & HEADLAMPS  
 COILED ELECTRICAL CABLES  
 ENGINE CONTROLS - SWITCHES  
 FLASHERS  
 FUSES  
 LIGHTING - LAMPS, LENSES, CLEARANCE  
 MARKERS, MIRRORS  
 SOLENOIDS  
 SERIES PARALLEL SWITCH  
 TRAILER & TRACTOR WIRE & CABLE

**MANUFACTURER**

BBB/WORLDWIDE (HEL)  
 BBB/WORLDWIDE (HEL)  
 CARQUEST/EAST PENN/DEKA (BAT)  
 WAGNER (CLB)  
 PHILLIPS (PHI)  
 STANDARD MOTOR PRODUCTS (EC)  
 IDEAL DIVISION/STANT CORP. (FSH)  
 LITTLE FUSE (FUS)  
 GROTE (LTG)  
 BBB/WORLDWIDE (HEL)  
 BBB/WORLDWIDE (HEL)  
 PHILLIPS (PHI)

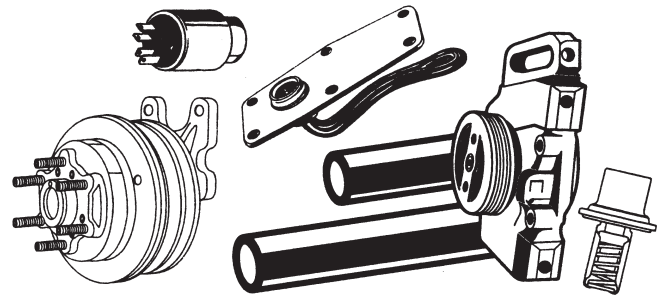


**TEMPERATURE CONTROL and COOLING SYSTEMS**

BELTS & HOSES  
 FAN CLUTCHES  
 ENGINE BLOCK HEATERS  
 RADIATORS  
 RADIATOR CAPS  
 COMPRESSORS, CONDENSERS, VALVES & FITTINGS  
 THERMOSTATS  
 WATER PUMPS - NEW & REMAN.  
 WATER PUMP IDLER PULLEYS

**MANUFACTURER**

GATES (RBR)  
 MIDLAND (FED)  
 PHILLIPS/ZEROSTART (HTR)  
 PROLIANCE  
 STANT (CCA)  
 FOUR SEASONS (CTC)  
 WEIRSTAT/STANT (CTH)  
 BEPCO (HWP)  
 BEPCO (HWP)

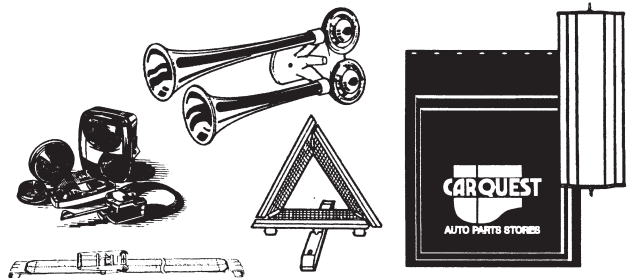


**TRUCK & TRAILER APPEARANCE and SAFETY COMPONENTS**

AIR HORNS  
 AIR WIPER MOTORS  
 CARQUEST LIGHTING - EMERGENCY LIGHTING  
 MIRRORS, BACK-UP ALARMS - REFLECTIVE TAPE  
 MUD FLAPS, MUD FLAP HANGERS  
 WIPER BLADES  
 3-M PRODUCTS  
 TIRE & AIR ACCESSORIES PRODUCTS  
 TIRE PATCH & REPAIR  
 STRAPS, WINCHES & CARGO CONTROL PRODUCTS

**MANUFACTURER**

CARQUEST PRODUCTS (CPF)  
 MIDLAND/HALDEX (HBS)  
 GROTE (LTG)  
 STANT (CCA)  
 CARQUEST PRODUCTS (CPF)  
 3M (MMM)  
 MILTON (MIL)  
 CARQUEST PRODUCTS (CPF)  
 ANCRA (CCS)

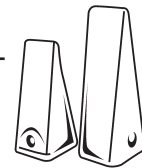
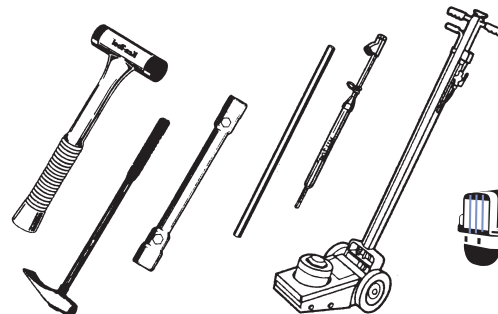


**EQUIPMENT, TOOLS and SHOP SUPPLIES**

HAND TOOLS  
 SPECIALTY TOOLS - HEAVY DUTY  
 TIRE SERVICE TOOLS  
 AIR TOOLS  
 TIRE EQUIPMENT  
 AIR COMPRESSORS  
 LUBE EQUIPMENT  
 HEAVY DUTY LIFT EQUIPMENT  
 PRESSURE WASHERS  
 BUCKET TEETH

**MANUFACTURER**

OTC (OTC)  
 KEN-TOOL (KEN)  
 INGERSOLL-RAND (IR)  
 COATS (CTS)  
 CHAMPION (CAC)  
 SAMSON (SAM)  
 ROTARY (RTL)  
 ALKOTA (ALK)  
 IRON DUKE (BKT)



# CARQUEST HEAVY DUTY PRODUCT LINE-UP

- ABC** AIR BRAKE CHAMBERS (MGM SPRING BRAKES)
- ABG** AIR SPRING (BAGS) (GOODYEAR)
- AVC** AIR VALVES & COMPRESSOR'S (BENDIX, BEPCO & MIDLAND/HALDEX)
- BAT** BATTERIES (EAST PENN/DEKA)
- BGS** BEARINGS (BOWER/BCA/FEDERAL MOGUL)
- BKT** BUCKET TEETH (HERCULES)
- CCH** CHASSIS COMPONENTS (MOOG)
- CCS** CARGO CONTROL SYSTEMS (ANCRA)
- CFI** FILTERS (WIX)
- CLB** HEADLAMPS & BULBS (WAGNER)
- CPF** MISCELLANEOUS FLEET PRODUCTS (CARQUEST PRODUCTS)
- CTC** TEMPERATURE CONTROL PRODUCTS (FOUR SEASONS)
- CTH** THERMOSTATS (STANT)
- CWP** WIPER BLADES (TRICO)
- EC** ELECTRICAL PRODUCTS (STANDARD MOTOR PRODUCTS)
- FED** ENGINE COMPONENTS (SEALED POWER/FEDERAL MOGUL)
- GSK** ENGINE GASKETS (VICTOR REINZ)
- HBS** MIDLAND BRAKE PRODUCTS (HALDEX BRAKE SERVICE/MIDLAND)
- HCL** CLUTCHES (NEW & REMAN.) (MIDLAND & ILLINOIS CLUTCH)
- HDB** BRAKE, WHEEL & SUSPENSION PARTS (BWP/BRAKE & WHEEL PARTS)
- HDD** BRAKE DRUMS, WHEELS & HUBS (WEBB WHEEL)
- HDF** AIR BRAKE SHOES (CARLISLE/MOTION CONTROL)
- HEL** ALTERNATORS & STARTERS (NEW & REMAN. UNITS) (BBB/WORLWIDE)
- HEX** EXHAUST PRODUCTS (GOERLICH)
- HHC** AIR BRAKE BRASS FITTINGS (GATES)
- HWP** WATER PUMPS (BEPCO)
- LTG** LIGHTING & MIRRORS (GROTE MFG. CO.)
- PHI** COILED AIR & ELECTRICAL PRODUCTS (PHILLIPS)
- HEL** REMAN HD ALTERNATOR & STARTERS (BBB/WORLWIDE)
- RBR** BELTS & HOSE / HYDRAULIC HOSE (GATES RUBBER CO.)
- KYB** HD SHOCKS (KYB)
- SLS** OIL SEALS & HUBCAPS (NATIONAL SEALS)
- SWS** OIL SEALS & HUBCAPS (STEMCO WHEEL SEALS)
- TOM** DIESEL FUEL INJECTION PUMPS (TOMCO)
- UJ** HD U-JOINTS (NEAPCO)

